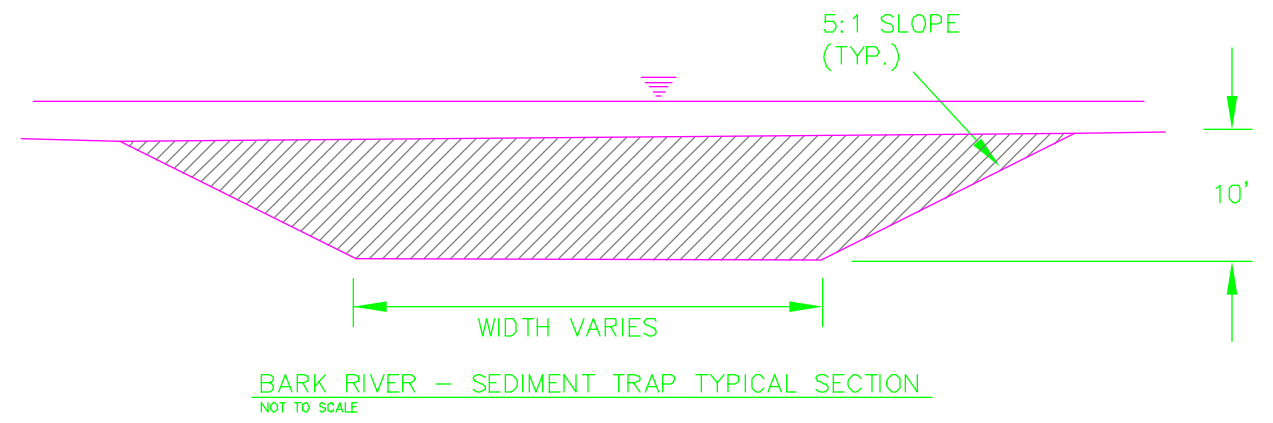
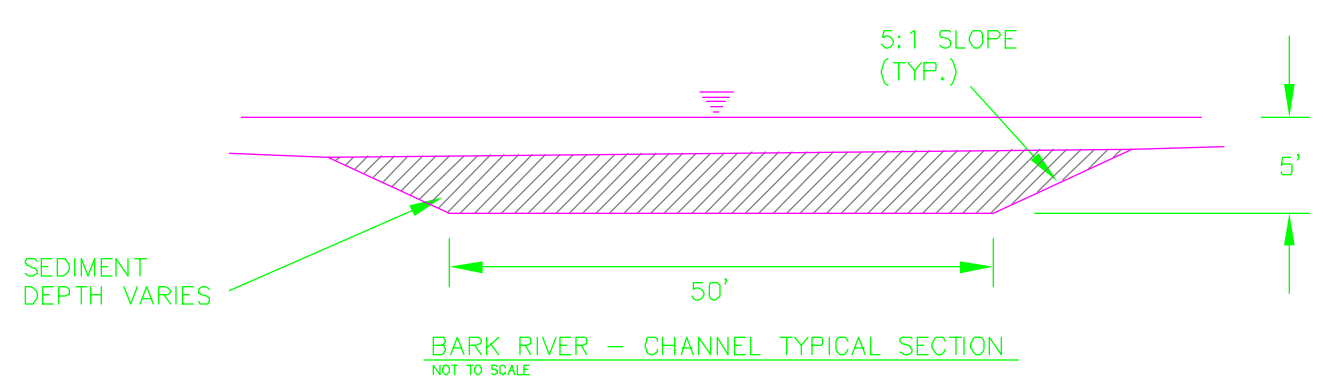
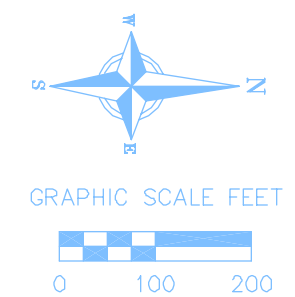


**OPTION A**  
 RESTORE NAVIGATION CHANNEL UP RIVER  
 300' TO 5' DEPTH & EXCAVATE A SEDIMENT  
 TRAP ABOUT 10' DEEP OVER A 350' RADIUS  
 SEMI-CIRCULAR AREA - 32,600 CY



SPOIL SITE OPTIONS  
 1) HIRSCHMAN LANE SITE

SEE SHEET 8



FIELD BOOK	DRWN. BY	CHECKED	REVISION	DATE	REMARKS	REVISION	DATE	REMARKS
	SFD	JMD						



400 VIKING DR.  
 P.O. BOX 379  
 REEDSBURG, WI 53959  
 608-524-6468

JOB NUMBER	FILE NUMBER	DATE
36034265	11DL-1-1	02/2004

NAGAWICKA LAKE  
 BARK RIVER  
 DELAFIELD, WI